



Battery Powered Photoelectric Smoke Alarm

Part Number 440378

Model P9050

One Button Design

Operates Hush™ and Test

Red LED

Flashes every 30-40 seconds to indicate that the smoke alarm is operating

Photoelectric Sensor

Advanced photoelectric sensor may detect visible particles (associated with smoldering fires) sooner than ionization alarms



Description

The Kidde P9050 is a battery operated smoke alarm, equipped with a photoelectric sensor, designed to alert you and your family to the dangers of smoke and fire.

The P9050 includes a 9V battery, providing you protection even during a power failure. This unit is UL Listed and offers a 10-year limited warranty.

This alarm uses photoelectric sensing technology. Photoelectric sensing alarms may detect visible particles (associated with smoldering fires) sooner than ionization alarms. Ionization sensing alarms may detect invisible fire particles (associated with flaming fires) sooner than photoelectric alarms.

Kidde strongly recommends that both ionization and photoelectric smoke alarms be installed to help insure maximum detection of the various types of fire that can occur within the home.

The Kidde P9050 photoelectric smoke alarm is battery operated protecting you and your family even during power outages. This unit does not require any wiring and can be installed in minutes. The P9050 is equipped with a test button that allows you to test the alarm's electronic circuitry, horn and battery function.

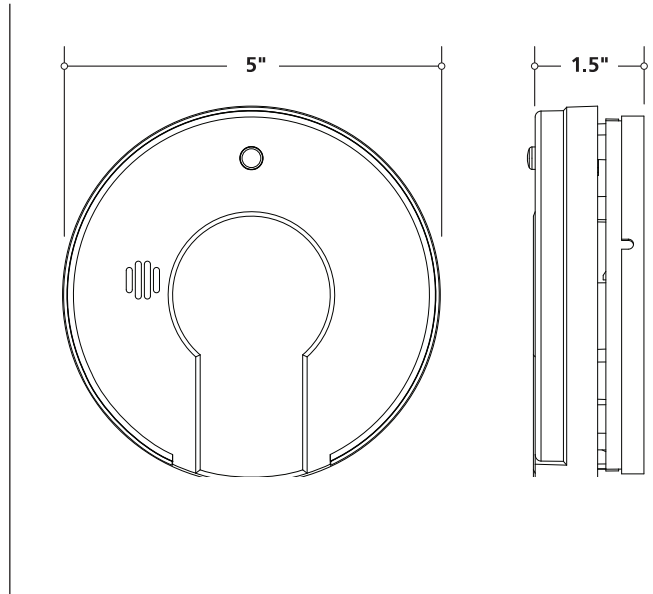
Features and Benefits

- **Photoelectric Sensor** – Advanced photoelectric sensor may detect visible particles (associated with smoldering fires) sooner than ionization alarms
- **Test Button** – Tests unit's electronic circuitry, horn and battery function.
- **Battery Operated (9V Battery Included)** – Protects even during a power outage.
- **Low Battery Indicator** – Smoke alarm will chirp in the event of a low battery.
- **Tamper Resist Locking Pin** – Helps deter alarm tampering or theft.



Technical Specifications

UPC:	0-47871-40378-3
Power Source:	9V Battery (included)
Audio Alarm:	85dB at 10ft
Temperature Range:	40°F to 100°F (4°C to 38°C)
Humidity Range:	5%-95% relative humidity (RH)
Sensor:	Photoelectric
Size:	5" in diameter x 1.5" depth
Weight:	.8lbs
Interconnects:	No
LED:	Red, normal operation
Warranty:	10 year limited



Ordering Information

Clamshell UPC: 0-47871-40378-3

Part Number	I 2 of 5	Pack Quantity	Dimensions (w x d x h inches)	Weight	Case/Skid	Layers/Skid	Skid Weight
440378**	N/A	Individual	7.5 x 1.87 x 11.25	1lb	N/A	N/A	N/A
44037802	100 47871 40378 0	PDQ (3 units)	7.75 x 6 x 11.75	1lb	105	3	315lbs
440378-020	200 47871 40378 7	Cut Case (20 units)	16 x 20.75 x 11.75	20lbs	18	3	360lbs
440378-060	300 47871 40378 4	Power Tower (60 units)	20 x 24 x 39.25 (incl. pallet)	60lbs	3	3	180lbs

**Not for sale by individual unit



1016 Corporate Park Drive
Mebane NC 27302
1-800-880-6788
www.kidde.com

Distributed by: