

# AP-001 Fire Alarm Indication Light

## Description

**AP-001** is designed to notify occupants of the location of a Manual Fire Alarm Box. The Indicating Light should be installed on the wall just above the Manual Fire Alarm Box. The Red L.E.D lamp is used as the light source which has 5-light emitting diodes.

## Features

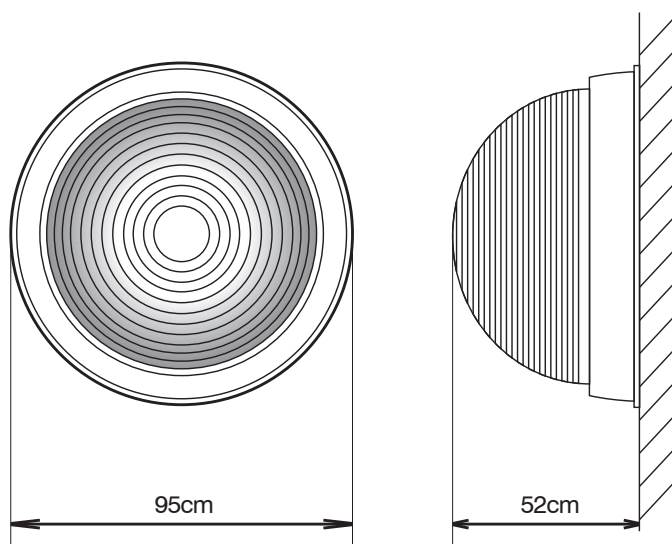
- Wide & High Visibility
- Low current consumption
- Non Combustible & Self-Extinguishing Construction

## Performance

The Indicating Light has a high luminance with which the light from the lamp can be clearly visible from a distance of 10m.

## Specifications

Model No.	AP-001 Fire Alarm Indication Light
Adopted Voltage	DC-18~30V (DC-24V)
Adopted Current	100mA
Luminous Component / Color	LED / Red
Luminous Intensity	0.3 Lm
Size	95mm x 52mm
Weight	80g
Other Specifications	LED Light Bulb (DC-18-30V 25mA)



WE RESERVE THE RIGHT TO CHANGE SPECIFICATIONS AND OTHER INFORMATION INCLUDED IN THIS CATALOGUE WITHOUT NOTICE.

### APEX Fire Systems Pte Ltd

Blk 192, Pandan Loop, #01-28 Pantech Business Hub, Singapore 128381  
Email: [info@apexfiresystems.com](mailto:info@apexfiresystems.com) • Website: [www.apexfiresystems.com](http://www.apexfiresystems.com)  
Tel: 6777 0233 • Fax: 6777 4811  
Co. Reg. No. 200612793Z

DISTRIBUTED BY :